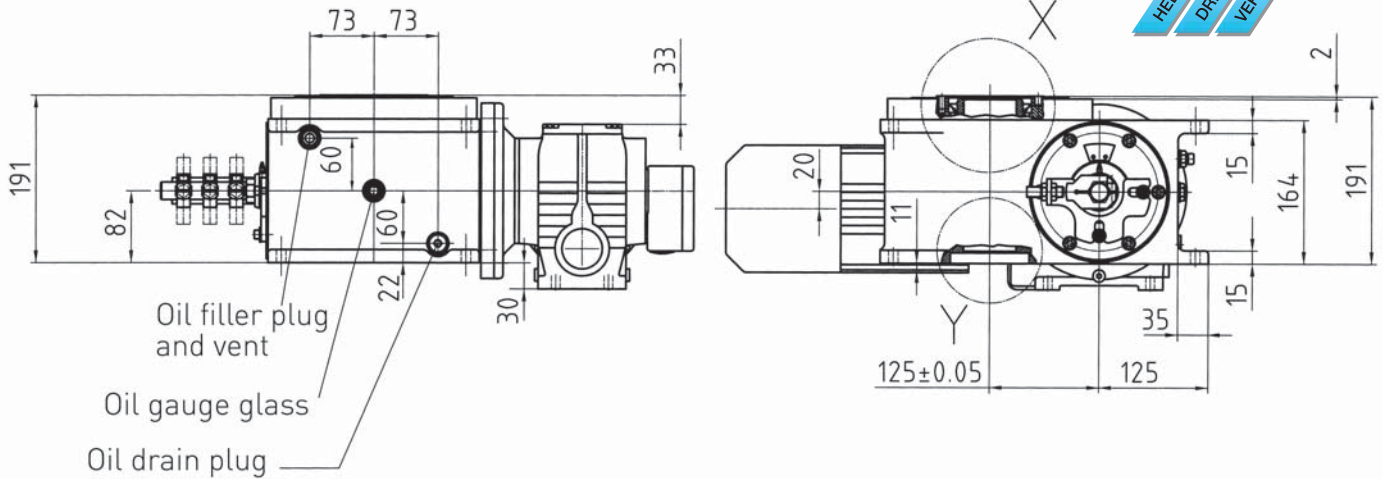
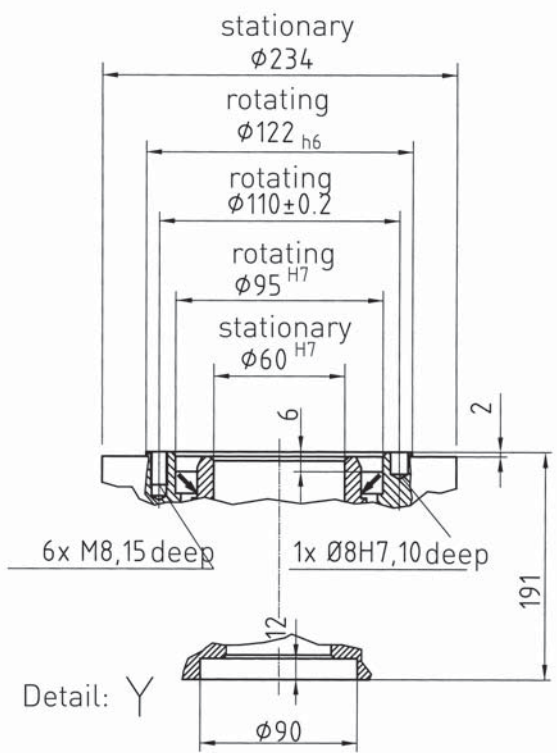
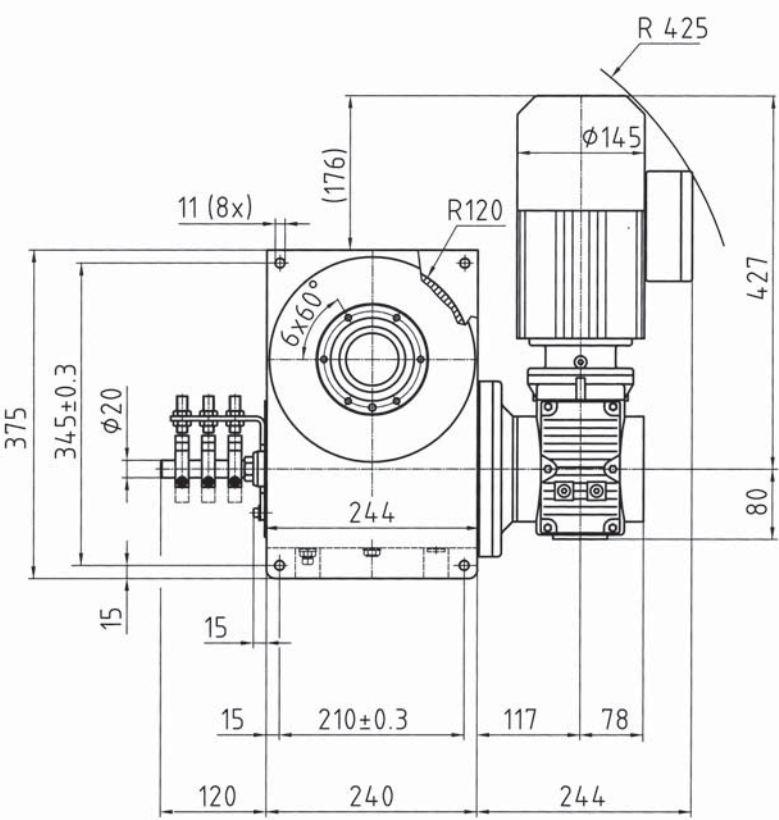


EGD125

with SEW SAF57-DT80K4B – 0,55 kW



Detail: X



All tolerances other than specified refer to DIN ISO 2768-mittel (medium)

Note: Installation with horizontal rotation axis and other motors with transmission brake upon request.